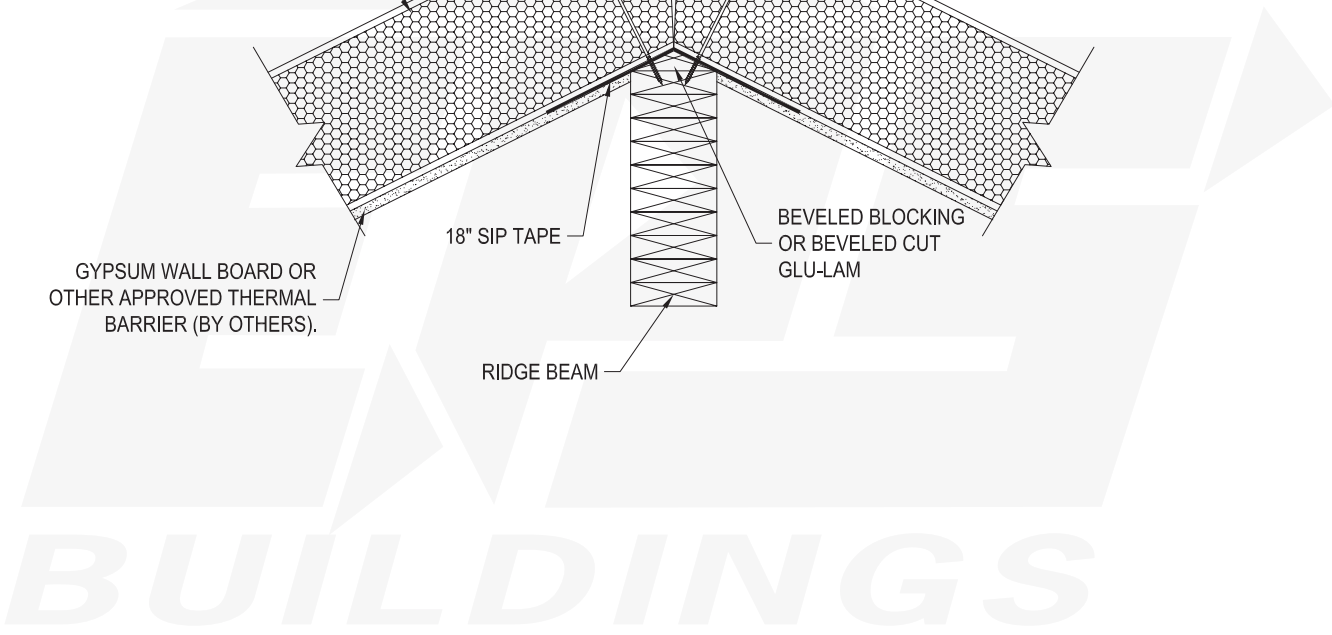
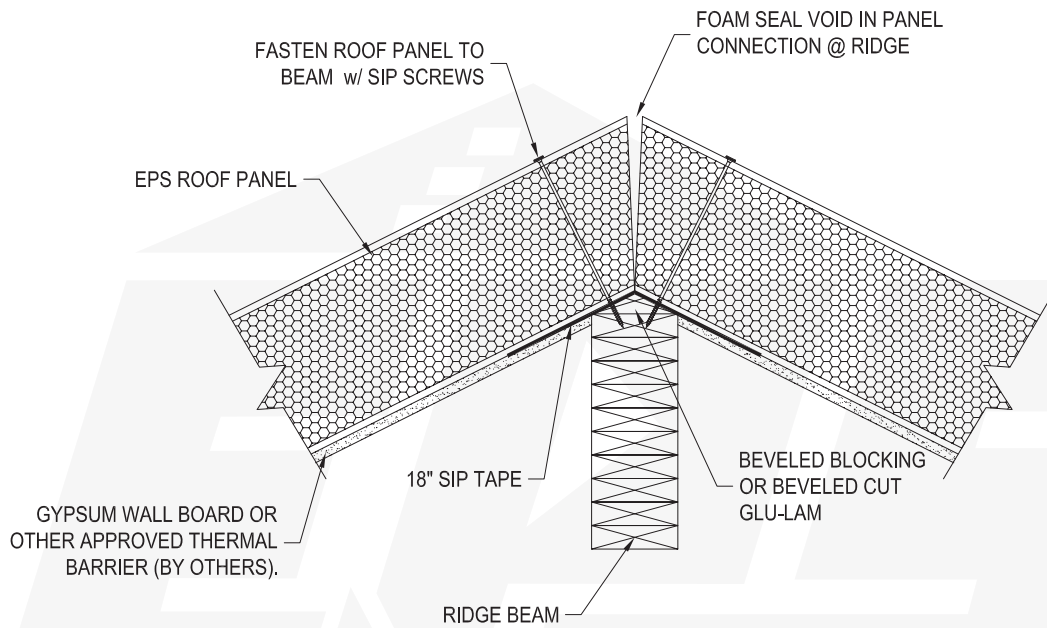


NOTE: SEE FASTEN SCHEDULE FOR ALL CONNECTIONS



NOTE: CHECK WITH EPS ON BEVELED GLU-LAM AVAILABILITY



DETAIL: ROOF PANEL/RIDGE BEAM

SCALE: N.T.S.

UPDATED: 1/26/16

DETAIL#

RB1

ENERGY PANEL STRUCTURES, 102 EAST INDUSTRIAL PARK, GRAETTINGER, IA 51342
PHONE: (712) 859-3219 FAX: (712) 859-3275 WWW.EPSBUILDINGS.COM